

SMT Health Systems™

making healthcare simple

STANDING TRANSFER AID

The Standing Transfer Aid 400 lb is your standing transfer solution. Transfers are quick and require minimal assistance. Fold-up seats and an easy grip crossbar allows the user to actively participate in a transfer process. Tapered legs allow unit to squeeze in between tight spaces.



Telephone:
1-800-725-7761

Fax
1-888-385-2345

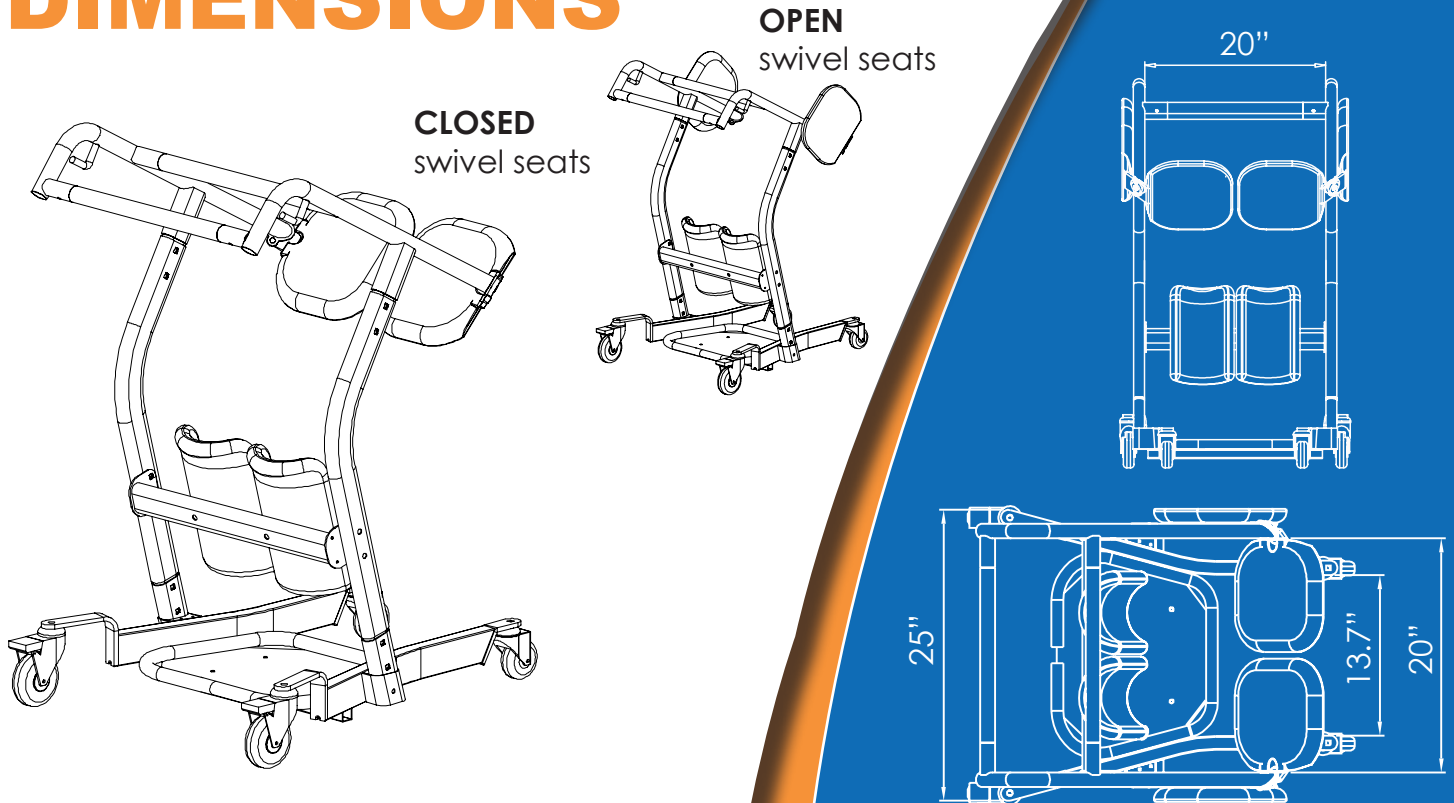
SMT Health Systems
1380 Legion Rd
Detroit Lakes, MN 56501

VOLARO

FEATURES

- 400 lb capacity
- Shin brace for secure transports
- Support strap available - attachment hooks for optional side support and back strap
- Affordable alternative to electric stand assists
- First choice for any fall prevention program

DIMENSIONS



SPECIFICATIONS

maximum capacity	400 lb / 180 kg
min. base inner width	13.7"
max. base outer width	20"
fixed base outer back width	25"
seat width	20"
overall length	31"
seat height	26.3"
overall height	43"
net weight	57 lb / 26 kg
gross weight	67 lb / 30 kg

* SPECIFICATIONS PROVIDED ARE A GENERAL GUIDELINE AND ARE SUBJECT TO CHANGE WITHOUT NOTICE