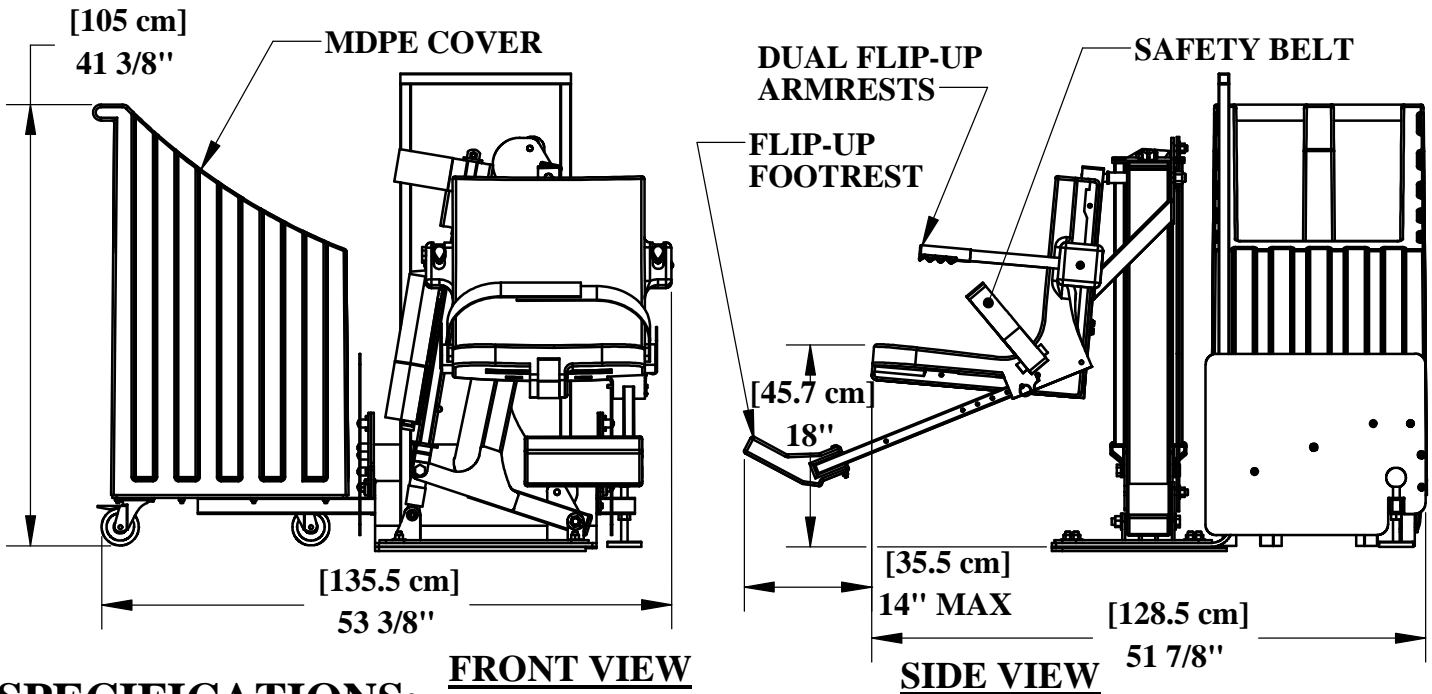
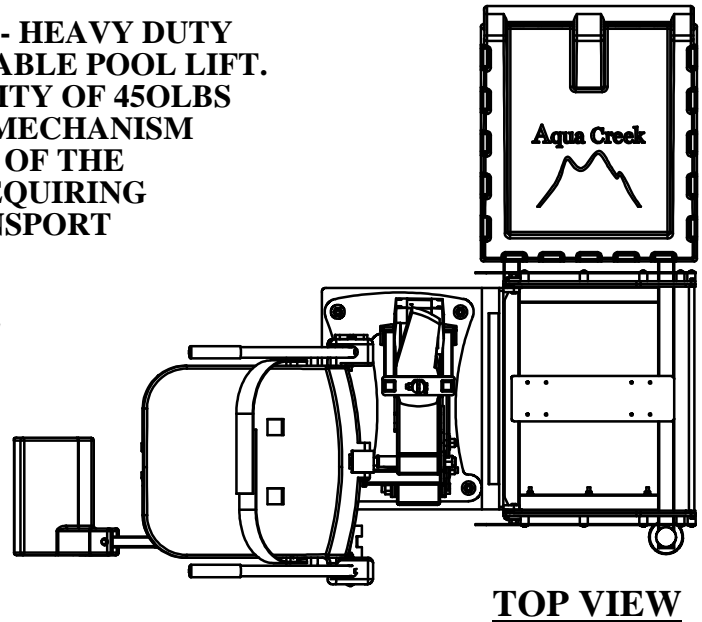


PATRIOT PORTABLE LIFT™ - HEAVY DUTY



SPECIFICATIONS:

THE AQUA CREEK PATRIOT PORTABLE LIFT - HEAVY DUTY SHALL BE AN ADA COMPLIANT FULLY PORTABLE POOL LIFT. IT SHALL HAVE A MAXIMUM LIFTING CAPACITY OF 450 LBS (204 kg). IT SHALL INCORPORATE A SLIDING MECHANISM ALLOWING THE LIFT TO BE STORED ON TOP OF THE FRAME FOR TRANSPORTATION WITHOUT REQUIRING ANY DISSASSEMBLY OR TOOLS. IN THE TRANSPORT CONFIGURATION, THE ASSEMBLY SHALL BE CAPABLE OF BEING ROLLED THROUGH A STANDARD 36" WIDE DOORWAY. ALL METAL COMPONENTS SHALL BE MADE OF TYPE 304 STAINLESS STEEL, AND SHALL BE POWDER COATED FOR ADDITIONAL CORROSION RESISTANCE. THE COVER, SEAT AND FOOTREST SHALL BE MADE FROM ROTOMOLDED POLYETHYLENE. ALL OTHER PLASTIC PARTS SHALL BE MADE FROM UHMW POLYETHYLENE. DUAL FLIP-UP ARMRESTS, A FLIP-UP FOOTREST AND A SAFETY BELT SHALL COME AS STANDARD EQUIPMENT. THE PATRIOT LIFT SHALL CARRY A LIMITED LIFETIME WARRANTY.



- FRAME: 1-1/2" x .180" WALL SQR. TUBING, TYPE 304L S.S.
- BASE PLATE: 3/8" THK. PLATE, TYPE 304L S.S.
- COVER: ROTOMOLDED MDPE (MEDIUM DENSITY POLYETHYLENE)
- CASTERS: Ø 3-1/2" RUBBER WHEEL, STAINLESS STEEL FRAME (2 WITH BRAKES)

Inspected And Verified To Meet
Applicable Sections of ADA
Guidelines Section 1009.2 By

wyle
laboratories

A Nationally Recognized
Test Laboratory



Aqua Creek Products

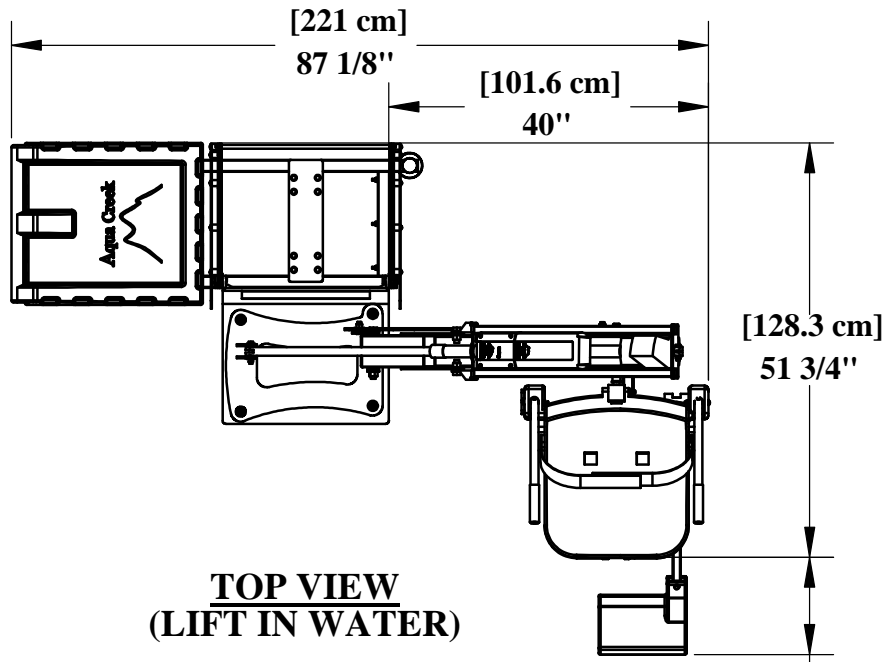
The Total Solution for Pool and Spa Access

9889 GARRYMORE LANE
MISSOULA, MT 59808
(406) 549-0769
FAX (406) 549-2602

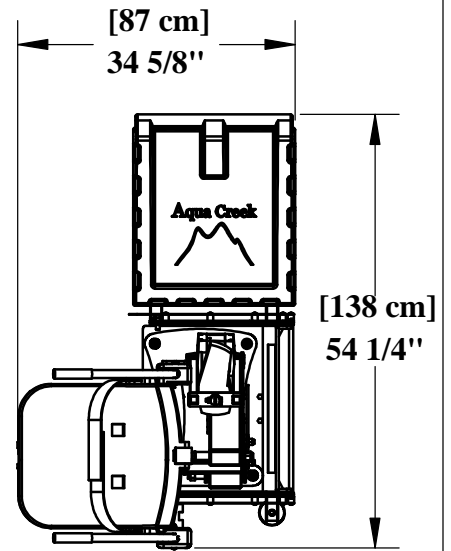
NOTE:
*SPECIFICATIONS ARE SUBJECT TO CHANGE WITHOUT NOTICE

PRODUCT:	F-12PPL-HD	
DWG #:	F-12PPL-HD-1	
SCALE:	1:24	DATE: 11/18/10
DRAWN BY:	DS	REVISION: E

PATRIOT PORTABLE LIFT™ - HEAVY DUTY

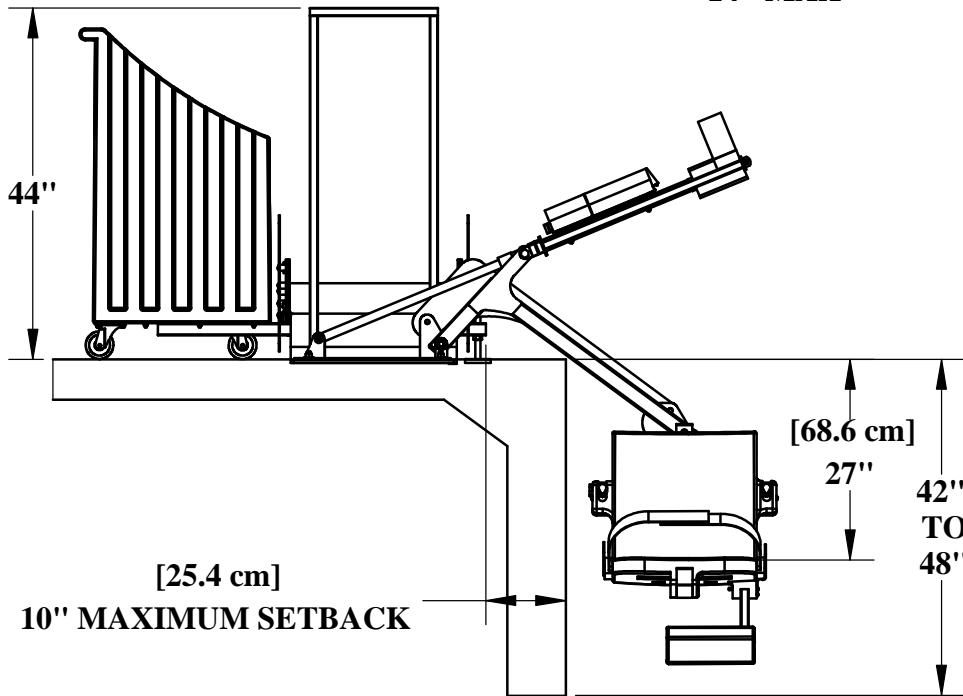


**TOP VIEW
(LIFT IN WATER)**

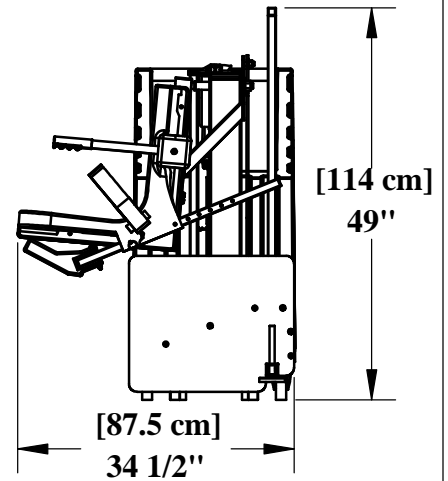


**TOP VIEW
(LIFT STOWED)**

[35.5 cm]
14" MAX



**FRONT VIEW
(LIFT IN WATER)**



**SIDE VIEW
(LIFT STOWED)**




Aqua Creek Products
The Total Solution for Pool and Spa Access

9889 GARRYMORE LANE
MISSOULA, MT 59808
(406) 549-0769
FAX (406) 549-2602

NOTE:
*SPECIFICATIONS ARE SUBJECT TO CHANGE WITHOUT NOTICE

PRODUCT:	F-12PPL-HD	
DWG #:	F-12PPL-HD-2	
SCALE:	1:24	DATE: 11/18/10
DRAWN BY:	DS	REVISION: E